



Data Center Server Cabinet

**premium
line**

www.premiumline-cabling.com



Power Distribution Unit European Type

Features:

- Conform to DIN49440 and DIN49441
- Maximum 16A 250V AC current capacity, 3.5KW
- Lighted master switch
- Standard 1U 8 output and 1.5U 6 output with surge protect
- 2m power cord, other length upon request
- Color: aluminum or plastic frame in black
- RoHS compliant



631210811



631210821

Power Distribution Unit UK Type

Features:

- BS1363 standard UK socket and plug
- Maximum 13A 230V AC current capacity, 3KW
- Lighted master switch
- Standard 1U 6 output and 1.5U 6 output with surge protect
- 2m power cord, other length upon request
- Color: aluminum or plastic frame in black
- RoHS compliant



632210611

Power Distribution Unit Surge Protector Type

Features:

- Available in European, UK & UL types
- Standard 1.5U mounting size, aluminum frame
- Dimension: 482.6 × 66.67 × 62mm
- Optional lighted master switch
- 2m power cord, other length upon request
- Other type PDU upon request
- RoHS compliant



631810711

Power Distribution Unit American Type

Features:

- IEC60906 two-pole socket-outlets with grounding contact
- Maximum 10A 110V AC current capacity, 2.5KW
- Lighted master switch
- Standard 1U 8 output and 1.5U 7 output with surge protect
- 2m power cord, other length upon request
- Color: aluminum or plastic frame in black
- RoHS compliant



633210811

Power Distribution Unit

PART NO.	DESCRIPTION
631210811	Power Distribution Unit with Aluminium Body, European Type, 8 Outlets
631210821	Power Distribution Unit with Non-metallic Body, European Type, 8 Outlets
632210611	Power Distribution Unit with Aluminium Body, UK Type, 6 Outlets
632210621	Power Distribution Unit with Non-metallic Body, UK Type, 6 Outlets
633210811	Power Distribution Unit with Aluminium Body, UL Type, 8 Outlets
633210821	Power Distribution Unit with Non-metallic Body, UL Type, 8 Outlets
631710611	Power Distribution Unit with Aluminium Body, European Type, 6 Outlets with Surge Protector
631810711	Power Distribution Unit with Aluminium Body, European Type, 7 Outlets with Surge Protector, without LED Switch
632710611	Power Distribution Unit with Aluminum Body, UK Type, 6 Outlets with Surge Protector
632810611	Power Distribution Unit with Aluminum Body, UK Type, 6 Outlets with Surge Protector, without LED Switch
633710711	Power Distribution Unit with Aluminum Body, UL Type, 7 Outlets with Surge Protector
633810711	Power Distribution Unit with Aluminum Body, UL Type, 7 Outlets with Surge Protector, without LED Switch

Data Center Server Cabinet

Data Center Server Cabinet

**premium
line**

www.premiumline-cabling.com

Uninterruptible Power Supply Online UPS (Rack Mounted & Free Standing Convertible)

Features:

- 19" rack mounted design
- High frequency and dual conversion on-line technology
- Advanced PFC technology, LED display
- Smooth sine wave output with less than 3%THD
- Lighting and surge protections
- Short and overload protections
- Min.5 minutes backup power supply, long term configuration upon request
- RS 232 socket
- EMI /RFI noise filter



642300101

Online UPS (Rack Mounted & Free Standing Convertible)

PART NO.	DESCRIPTION
642300101	Premium Line On Line Rack Mounted & Free Standing UPS 1KVA
642300201	Premium Line On Line Rack Mounted & Free Standing UPS 2KVA
642300301	Premium Line On Line Rack Mounted & Free Standing UPS 3KVA

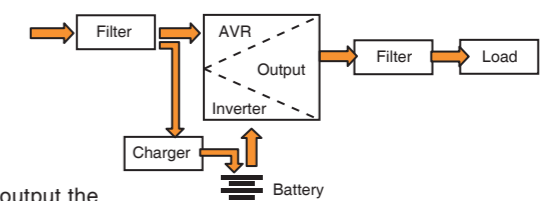
Uninterruptible Power Supply Line-interactive UPS (Rack Mounted)

Features:

- 19" rack mounted design
- Automatically recharge in off mode
- self-diagnosis on startup
- Simulated sine wave output
- Lighting and surge protections
- Short and overload protections
- RS 232 socket



641006501



Power Output

Line-interactive UPS normally used to AC input regulating, then output the simulated sine wave for device power supply, and the optimized power output guarantee the equipment safe running

Emergency Power Supply

Line-interactive UPS self-diagnosis function will determine and active the backup power supply within 5~10ms, to avoid any damage caused by power shut.

Capacity	650V·A/390W	800V·A/480W	1200V·A/720W
Input voltage	100V/110V/120V/220V/230V/240V±25%		
Frequency	50/60Hz±5%		
Phase	Single phase power with grounding		
Output voltage	100V/110V/120V/220V/230V/240V±25%		
Frequency	AC Mode: track the utility Battery Mode:50/60hz±5%		
Distortion	<3%(linear load)		
Waveform	Sine Wave(Mains) Modified sine wave (battery)		
Transfer time	Typical value 2-7ms Max:10ms		
Battery voltage	12V DC (1x7Ah /12V)	12V DC (1x8Ah /12V)	24V DC (2x7Ah /12V)
Battery type	Seated Lead-acid maintenance free		
Backup time	>3min (full load)		

Line-interactive UPS (Rack Mounted)

PART NO.	DESCRIPTION
641006501	Premium Line Line-Interactive UPS 650VA
641008001	Premium Line Line-Interactive UPS 800VA
641012001	Premium Line Line-Interactive UPS 1200VA

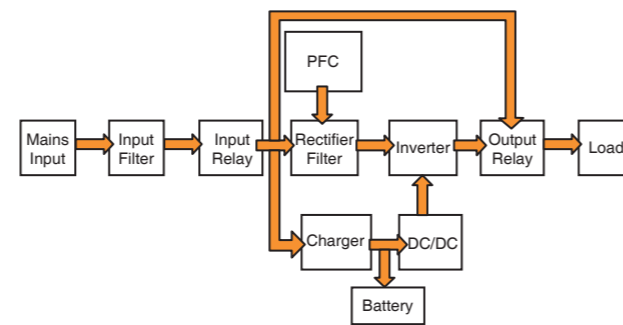
Uninterruptible Power Supply Online UPS (Rack Mounted)

Features:

- 19" rack mounted design
- Optional capacity 1K V?A to 10K V?A
- High frequency and dual conversion on-line technology
- Advanced PFC technology, LED display
- Smooth sine wave output with less than 3%THD, optimize AC supply
- Lighting and surge protections
- Short and overload protections
- Min. 5 minutes backup power supply, long term configuration upon request
- RS 232 socket



642100101



Optimize Power Supply

Online UPS first convert alternating current (AC power) to direct current (DC power) after pulse width modulation, and then convert it back to AC power after DC regulating, the smooth sine wave AC output efficiently guarantee the active device running under optimized power supply, for key equipments longer life-time and system safety.

Emergency Power Supply

UPS classical function is for emergency power supply. Premium Line all default configuration UPS available for minimum 5 minutes backup power supply, to protect device and network from the damage due to power shut down. In case for some unattended stations, longer time battery configuration is available as well.

Capacity	1KV·A/700W	2KV·A/1400W	3KV·A/2100W	6KV·A/4200W	10KV·A/7000W
Input					
Voltage Range	Half-load 120-300V AC Full-load 165-300V AC		176-276VAC		
Frequency	45.5Hz-54.5Hz				
Output					
Voltage	220/230/240V ±3%				
Frequency	50/60Hz ±0.5				
Distortion	<3%(linear load) <5%(non-linear load)				
Waveform	True Sine Wave				
Overload Capability	110%-150%:switch to bypass after 1Min >150%:shut down after 200ms		110%-150%:10Min >150%:1Min		
Battery Model	12V sealed lead acid maintenance free				
Voltage	36V DC	96V DC	240V DC		
Configuration	3x12v/7Ah	8x12V/7Ah	20x12V/7Ah		

Online UPS (Rack Mounted)

PART NO.	DESCRIPTION
642100101	Premium Line On Line Rack Mounted UPS 1KVA
642100201	Premium Line On Line Rack Mounted UPS 2KVA
642100301	Premium Line On Line Rack Mounted UPS 3KVA
642100601	Premium Line On Line Rack Mounted UPS 6KVA
642101001	Premium Line On Line Rack Mounted UPS 10KVA