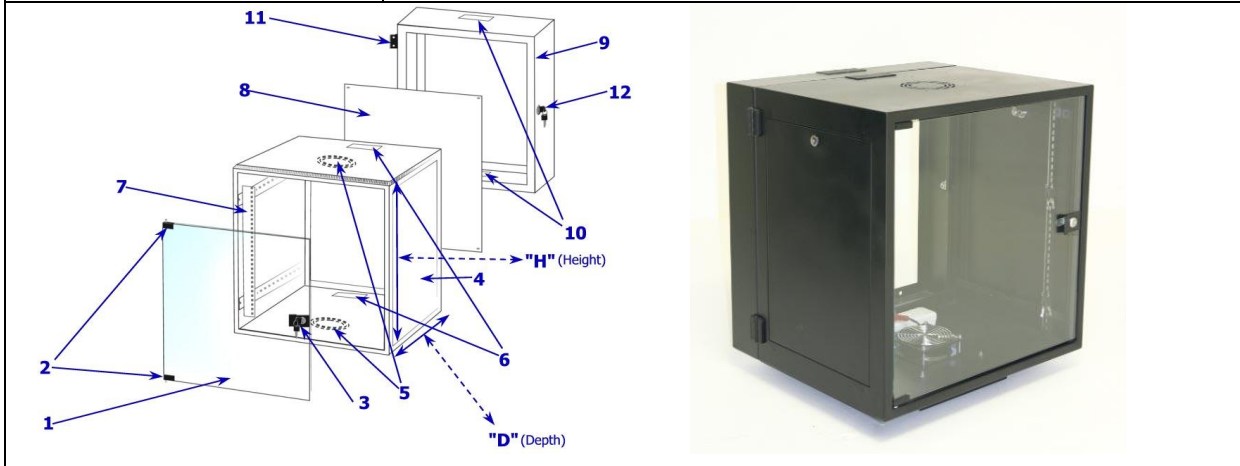


SPECIFICATION:
EMERALD WALL BOX


1	4.mm Clear, Toughened Safety Glass Front Door , perforated or solid steel doors also available	7	Panel Mount
2	Front Door Hinges	8	Rear cover Plate - Optional
3	Front Door Barrel Lock	9	Swing Frame ("D" = 100mm or 200mm) - Optional
4	1mm Mild Steel Solid Wall Box	10	Swing Frame Cable Entry (100mm X 40mm) - Optional
5	119mm X 119mm Fan Opening only on top	11	Swing Frame Hinge X 2 - Optional
6	Wall Box Cable Entry (100mm X 40mm) only on top	12	Swing Frame Barrel Lock

The Emerald™ wall box range offers an economical and cost-effective solution for smaller installations where space constraints do not allow for a floor standing cabinet, or where there is no requirement for future expansion of the installed network.

Depths available: 300, 400, 500 and 600mm

The Emerald™ economy version comes in standard 19" (600mm, inside) width and 400mm depth, but does not have a chamfered and ventilated top and can accommodate a single fan in the top only.

Load Bearing Capacities: It is recommended that a maximum load of 10 kilograms is adhered to when using a wallbox with a swing frame. Where the wallbox is used alone, a maximum of 30 kilograms can be accommodated. The above recommendations apply to good installation practices on sturdy brick walling, adjustments must be factored in for alternate conditions: eg- dry walling.



PrecisionICT® products are proudly ISO9001: 2000 certified by DQS GmbH - Deutsche Gesellschaft zur Zertifizierung von Managementsystemen. Certificate no: 324295 QM, as of 2005-02-24 Through our ISO management system and OSH teams, Modrac continuously strives to not only produce exceptionally high quality products, but to do this in the most cost effective and environmentally friendly practices.